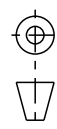


Sign.	
Date	2021-03-10
Description of Change	Stacking Height 5,6 was 5,5
No	1
	2
	3
	4

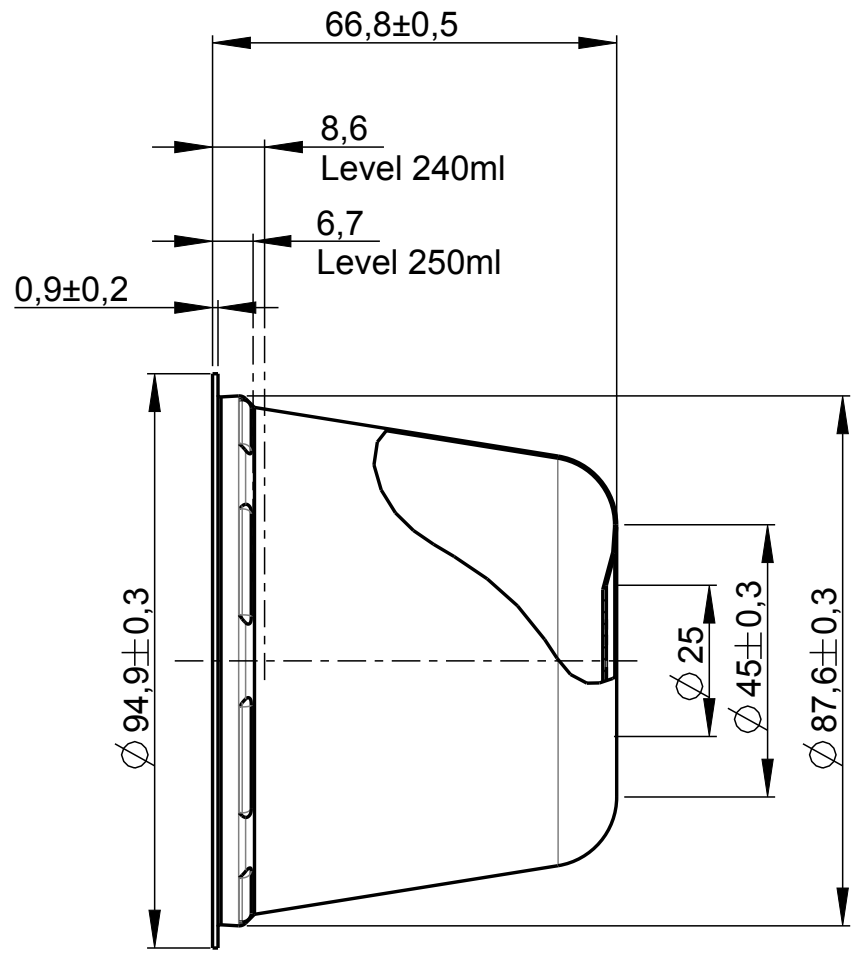
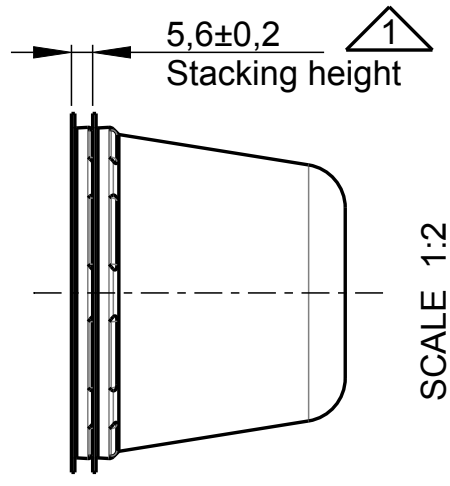
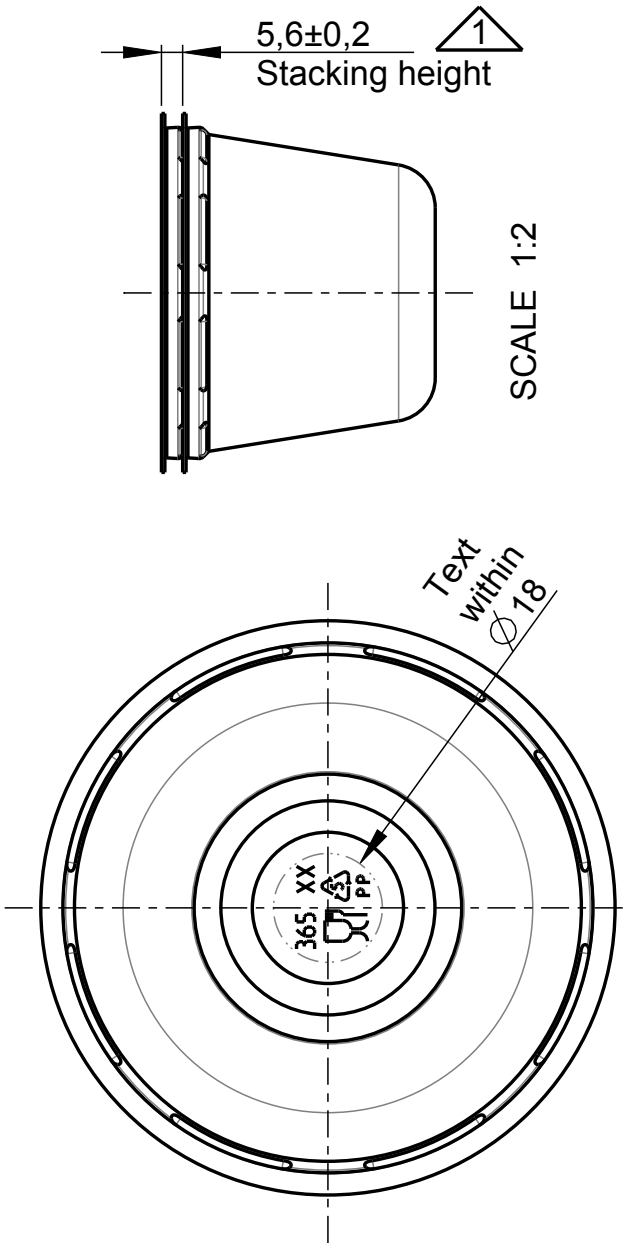
This document is our property and must not under any circumstance be copied in its original or modified state, reproduced or used for any unauthorized purpose without our written permission. Nor may its contents be imparted to a third party. Contravention will be prosecuted.

✓ indicates Ra in µm. ISO 4287



For dimensions without tolerance See ISO 2768-m

Nom. dim.	Tol	±	
		over	to
0.5	6	0.1	
6	30	0.2	
30	120	0.3	
120	400	0.5	
400	1000	0.8	
1000	2000	1.2	
2000	4000	2.0	



Brimful Volume: 290 ml

Food Container	Material	Dimension
Product Drawing	PP	-
Type No: 51365	Scale: 4:5	Designed by: HM
Cup Ø95 250 ml	Date: 2020-08-31	Drawn by: HM
	Berry Superfos Lidköping AB	
	Replaces:	Replaced by:
	Reg No: 4650	File name: 51365
	4 - 4 -	Revision: 2
	4063-02	Drawing No: